

Interference Suppression Capacitors

Series Code
133

Safety Capacitors – Class Y2

Main Application

Standard line bypass (between line and ground) applications, line bypass application for continuous operation.

Construction

Film/foil inductive type construction with aluminum foil as electrode and PP film as dielectric coated with flame retardant epoxy powder.

Climatic Category

40/100/56

Applicable Specification

IEC 384-14

Capacitance Value

0.00022 μ F-0.0068 μ F

Rated Voltage

305VAC

Insulation Resistance

Minimum Insulation Resistance R_{IS}
(or) time constant $T = C_R \times R_{IS}$
at 25° C, relative humidity $\leq 65\%$

$C_R \leq 0.33\mu F$
> 30,000 M Ω

$C_R > 0.33\mu F$
> 10,000 s

Capacitance Tolerance

$\pm 10\%$, $\pm 20\%$

Voltage Proof

Between the terminals: 3000VDC for 2 sec.

Tan δ

0.001 (maximum) at 1 kHz.

Life Test Conditions

(Loading at elevated temperature)

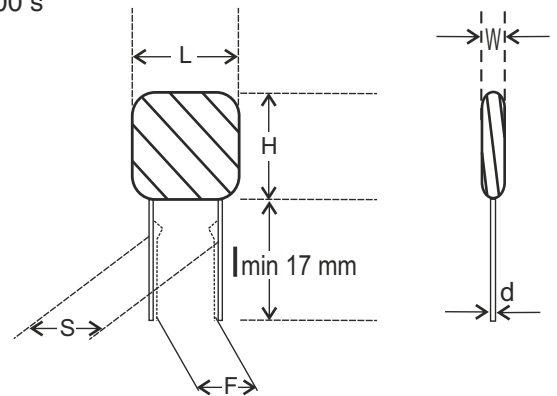
Loaded at 1.7 times of rated voltage at 85 °C for 1000 hours. Once per hour; 0.1 sec.1000 V (RMS) via resistor of 47 $\Omega \pm 5\%$.

After the Test

$\Delta C/C \leq 10\%$.

Increase in Tan $\delta \leq 0.008$, $C_R \leq 1\mu F$

Insulation resistance: $\geq 50\%$ of the value mentioned in IR chart.



Ordering code and packaging units: Interference Suppression Capacitors Safety Capacitors – Class Y2 • Series Code 133

Rated Voltage	Rated Cap. μF	Dimensions (mm)					S ± 0.5	DV/DT V/ μs	Wt. g	Ordering code	Packing Units Bulk
		W (max)	H (max)	L (max)	d ± 0.05						
305VAC	0.00022	3.5	8.0	14	0.5	5.0	10000	0.60	133 221 +04* ^	500	
	0.00080	5.5	10.0	15	0.5	5.0	10000	0.80	133 801 +04* ^	500	
	0.00100	5.5	10.5	15	0.5	5.0	10000	0.90	133 102 +04* ^	500	
	0.00150	6.0	12.0	15	0.5	7.5	10000	1.00	133 152 +04* ^	500	
	0.00220	7.0	13.0	15	0.5	7.5	10000	1.30	133 222 +04* ^	500	
	0.00330	8.0	14.0	15	0.5	7.5	10000	1.65	133 332 +04* ^	500	
	0.0047	9.0	16.0	15	0.5	10.0	10000	2.00	133 472 +04* ^	500	
	0.0068	10.0	17.5	15	0.5	10.0	10000	2.60	133 682 +04* ^	500	