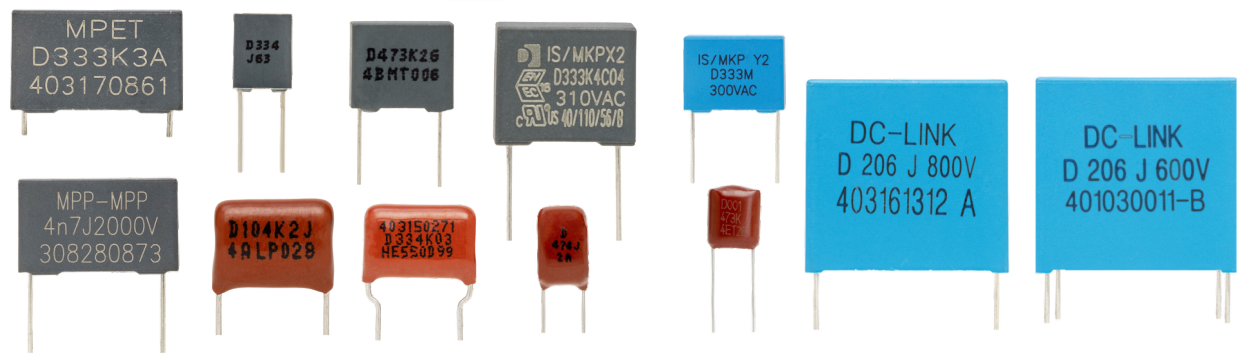


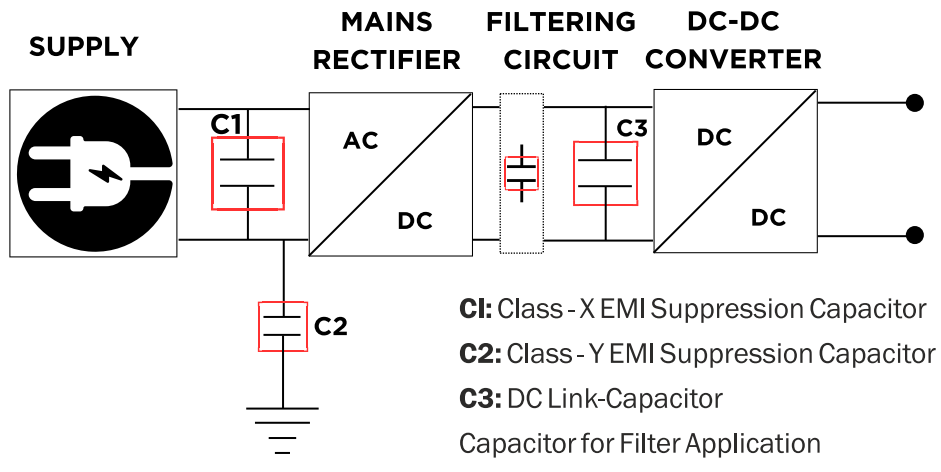
# Capacitors for Brushless DC (BLDC) Fans



A Brushless Direct Current (BLDC) motor runs on direct current (DC) electricity and uses permanent magnets instead of electromagnets in induction motors. Permanent magnets generate less heat and consume less energy. Compared to brushed motors, BLDCs offer a higher power-to-weight ratio, high-speed operation, instantaneous control of speed (RPM) and torque, greater efficiency, and lower maintenance since there are no brushes to wear out. These advantages make BLDC motors ideal for applications requiring precision, durability, and efficiency.



## Functional block diagram



## Why Deki

- One-Stop Shop**  
 for All Film  
 Capacitor Needs
- Comprehensive**  
 DC & AC  
 Capacitor Solutions
- Single-Digit**  
 PPM Quality
- Global Quality**  
 Designed and  
 Made in India
- Fast & Reliable**  
 Delivery Prioritizes  
 Customer Deadlines

# Capacitors for Brushless DC (BLDC) Fans

## The Deki Range

Series No.	Capacitor Type	Function	Voltage range	Capacitance range
<b>207</b> - Normal grade <b>151</b> - THB grade	Class-X2	EMI filter between mains	310VAC	0.01 $\mu$ F to 10 $\mu$ F
<b>33</b>	Class-Y2	EMI filter between line and ground	300VAC	0.001 $\mu$ F to 1 $\mu$ F
<b>MPP and MPET</b> Film Capacitors	General purpose	AC filtering after rectification	63VDC-630VDC for MPP-DC 100VDC-1000VDC for MPET-DC	0.001 $\mu$ F to 10 $\mu$ F
<b>91</b> - DC Link Plastic Box	DC Link	DC link	450VDC-1500VDC	1 $\mu$ F to 210 $\mu$ F

For more details on the Deki range of capacitors for BLDC fans, please scan the QR code.



## Deki Capacitors: Powering Efficiency in BLDC Fans



### Deki Electronics Ltd

B-19 & 20 Sector 58, NOIDA 201 301, India.  
+91 120 2585457, 2585458 • info@dekielectronics.com  
www.dekielectronics.com