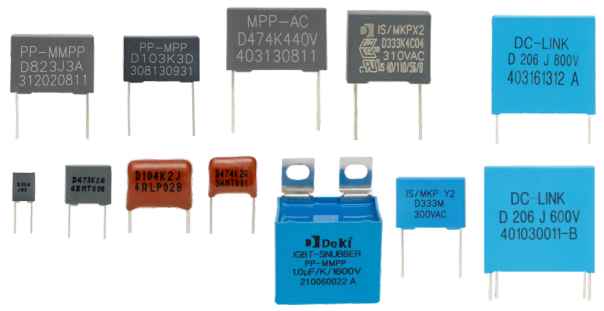


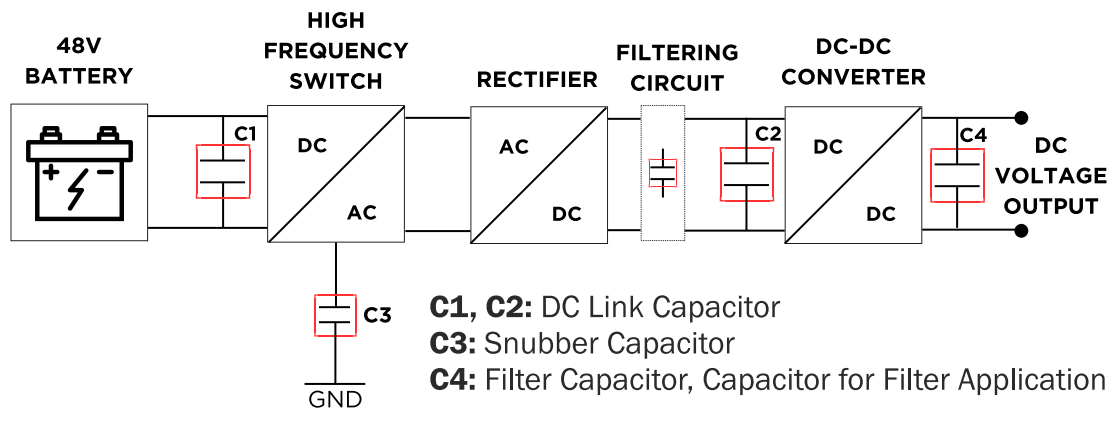
Capacitors for Converters



Capacitors are vital in DC-DC converters for smoothing and filtering the output voltage, ensuring a steady DC supply. They store energy to maintain consistent output during load or input voltage changes and stabilize voltage levels for reliable power delivery. Additionally, capacitors improve efficiency by minimizing fluctuations and reducing energy losses, ensuring the converter operates optimally. In essence, capacitors play a key role in enhancing the performance and stability of DC-DC converters.



Functional block diagram



Why Deki


One-Stop Shop
for All Film
Capacitor Needs


Comprehensive
DC & AC
Capacitor Solutions


Single-Digit
PPM Quality


Global Quality
Designed and
Made in India


Fast & Reliable
Delivery Prioritizes
Customer Deadlines

Capacitors for Converters

The Deki Range

Series No.	Capacitor Type	Function	Voltage range	Capacitance range
MPP and MPET Film Capacitors	General purpose	AC filtering after rectification	63VDC-630VDC for MPP-DC 100VDC-1000VDC for MPET-DC	0.001 μ F to 10 μ F
91 - DC Link Plastic Box 292 - DC Link Plastic Round Can (Female terminal) 293 - DC Link Plastic Round Can (Male terminal) 297 - DC Link Round Aluminium Can	DC Link	DC link application	450VDC-1500VDC	1 μ F to 210 μ F 45 μ F to 5500 μ F (upon request)
121 - PP MPP 150 - MPP-MPP	Snubber	Reduce high voltage spikes	700VDC-3000VDC	0.047 μ F to 5.6 μ F

For more details on the Deki range of capacitors for Converters, please scan the QR code.



Deki Capacitors: Driving Performance in Converter Systems



Deki Electronics Ltd

B-19 & 20 Sector 58, NOIDA 201 301, India.

+91 120 2585457, 2585458 • info@dekielectronics.com

www.dekielectronics.com