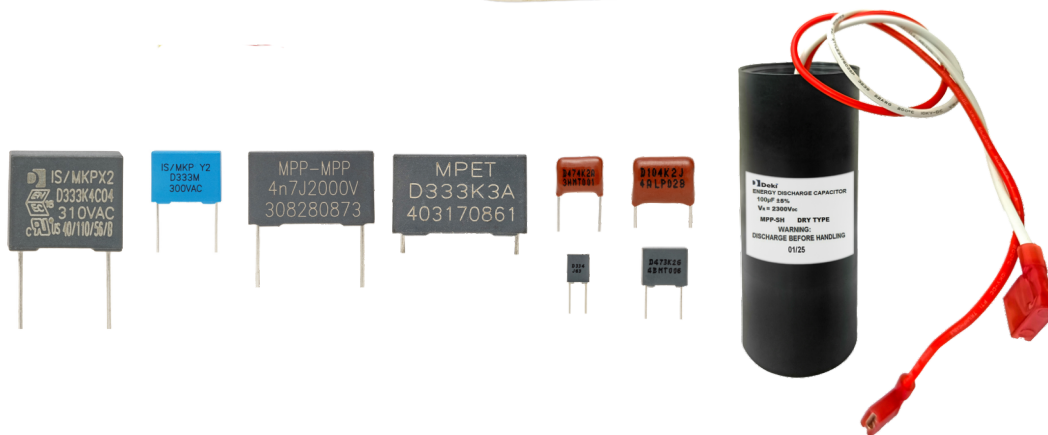


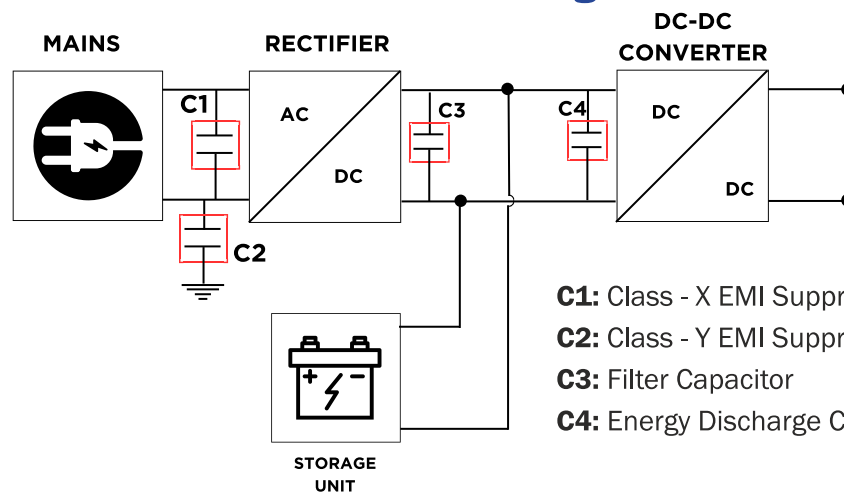
Capacitors for Defibrillators



Capacitors in defibrillators store and rapidly release electrical energy to deliver a controlled shock to the heart during cardiac emergencies. They quickly charge to a high voltage and discharge in milliseconds, helping restore normal heart rhythm in cases of arrhythmia or cardiac arrest. Their efficiency, reliability, and ability to deliver precise energy levels make them essential for life-saving interventions in both automated external defibrillators (AEDs) and advanced medical defibrillator systems.



Functional block diagram



- C1:** Class - X EMI Suppression Capacitor
- C2:** Class - Y EMI Suppression Capacitor
- C3:** Filter Capacitor
- C4:** Energy Discharge Capacitor

Why Deki

One-Stop Shop
for All Film
Capacitor Needs

Comprehensive
DC & AC
Capacitor Solutions

Single-Digit
PPM Quality

Global Quality
Designed and
Made in India

Fast & Reliable
Delivery Prioritizes
Customer Deadlines

Capacitors for Defibrillators

The Deki Range

Series No.	Capacitor Type	Function	Voltage range	Capacitance range
397 – Energy Discharge Capacitor	Defibrillator	For defibrillation	Up to 5000 VDC	32µF to 200 µF
207 - Normal Grade 151 - THB grade	Class-X2	EMI filter between mains	310VAC	0.01µF to 10µF
33	Class-Y2	EMI filter between line and ground	300VAC	0.001µF to 1µF
MPP and MPET Film Capacitors	General purpose	AC filtering after rectification	63VDC-630VDC for MPP-DC 100VDC-1000VDC for MPET-DC	0.001µF to 10µF

For more details on the Deki range of capacitors for Defibrillators, please scan the QR code.



Deki Capacitors: The Life-Saving Charge in Defibrillators



Deki Electronics Ltd

B-19 & 20 Sector 58, NOIDA 201 301, India.
+91 120 2585457, 2585458 • info@dekielectronics.com
www.dekielectronics.com