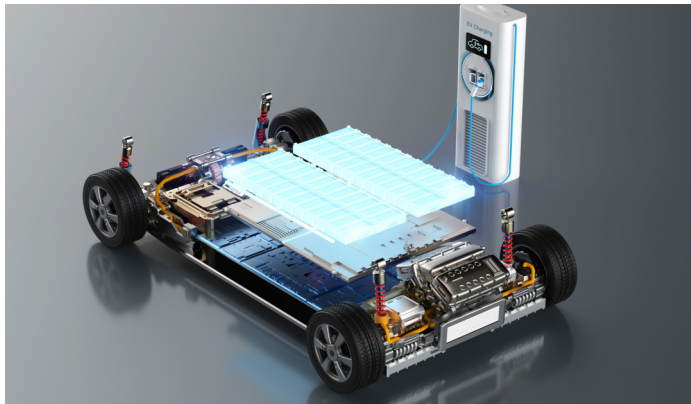
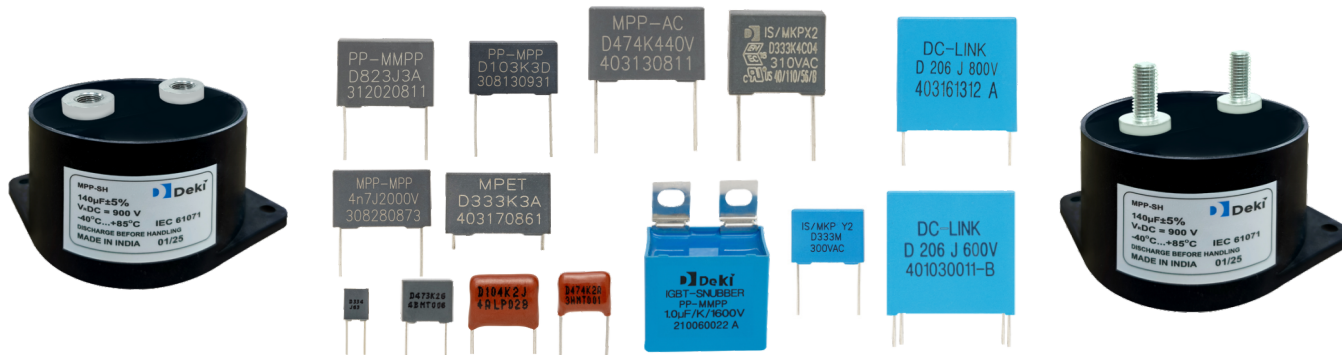


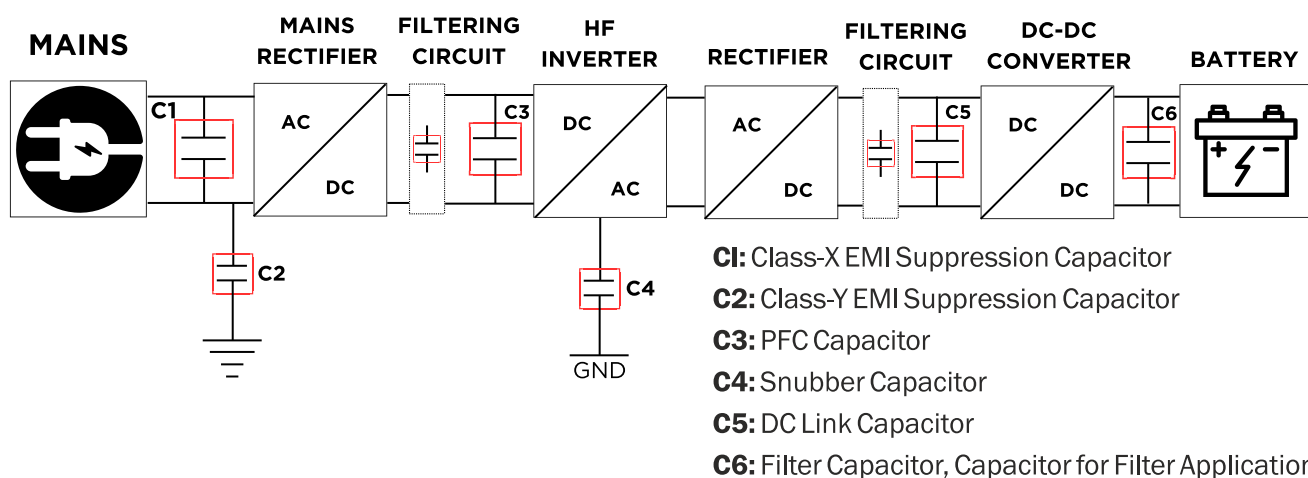
# Capacitors for EV Charging Systems



Capacitors are crucial in EV charging systems, ensuring stable power delivery, filtering voltage fluctuations, and improving overall efficiency. In Level 1 and Level 2 AC charging, capacitors help smooth the alternating current, enhancing power stability. In Level 3 DC fast charging, they support high-voltage conversion, reducing ripple and enabling faster, more efficient charging. By stabilizing power flow and minimizing energy losses, capacitors play a key role in making EV charging reliable and efficient.



## Functional block diagram



## Why Deki

**One-Stop Shop**  
for All Film  
Capacitor Needs

**Comprehensive**  
DC & AC  
Capacitor Solutions

**Single-Digit**  
PPM Quality

**Global Quality**  
Designed and  
Made in India

**Fast & Reliable**  
Delivery Prioritizes  
Customer Deadlines

# Capacitors for EV Charging Systems

## The Deki Range

Series No.	Capacitor Type	Function	Voltage range	Capacitance range
<b>207</b> - Normal grade <b>151</b> - THB grade	Class-X2	EMI filter between mains	310VAC	0.01 $\mu$ F to 10 $\mu$ F
<b>33</b>	Class-Y2	EMI filter between line and ground	300VAC	0.001 $\mu$ F to 1 $\mu$ F
<b>MPP</b> and <b>MPET</b> Film Capacitors	General purpose	AC filtering after rectification	63VDC-630VDC for MPP-DC 100VDC-1000VDC for MPET-DC	0.001 $\mu$ F to 10 $\mu$ F
<b>91</b> - DC Link Plastic Box <b>292</b> - DC Link Plastic Round Can (Female terminal) <b>293</b> - DC Link Plastic Round Can (Male terminal) <b>297</b> - DC Link Round Aluminium Can	DC Link	DC link application	450VDC-1500VDC	1 $\mu$ F to 210 $\mu$ F 45 $\mu$ F to 5500 $\mu$ F (upon request)
<b>121</b> - PP MPP <b>150</b> - MPP-MPP	Snubber	Reduce high voltage spikes	700VDC-3000VDC	0.047 $\mu$ F to 5.6 $\mu$ F
<b>66</b> - DMMP <b>68</b> - PP-MPP <b>29</b> - PP - MMPP	Power factor correction	Power factor correction	630VDC - 2000VDC	0.001 $\mu$ F to 1.8 $\mu$ F

For more details on the Deki range of capacitors for EV Charging Systems, please scan the QR code.



## Deki Capacitors: Powering Efficiency in EV Charging Systems



### Deki Electronics Ltd

B-19 & 20 Sector 58, NOIDA 201 301, India.

+91 120 2585457, 2585458 • info@dekielectronics.com

www.dekielectronics.com