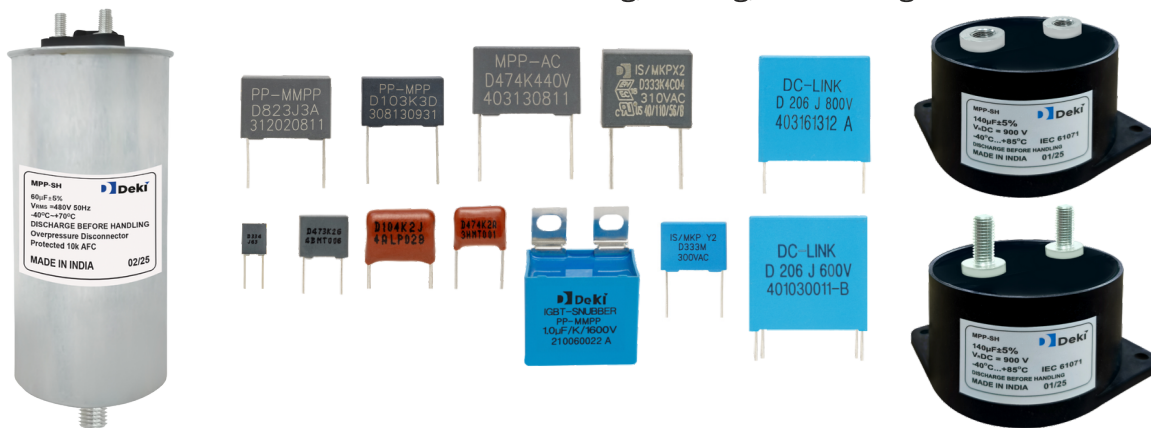


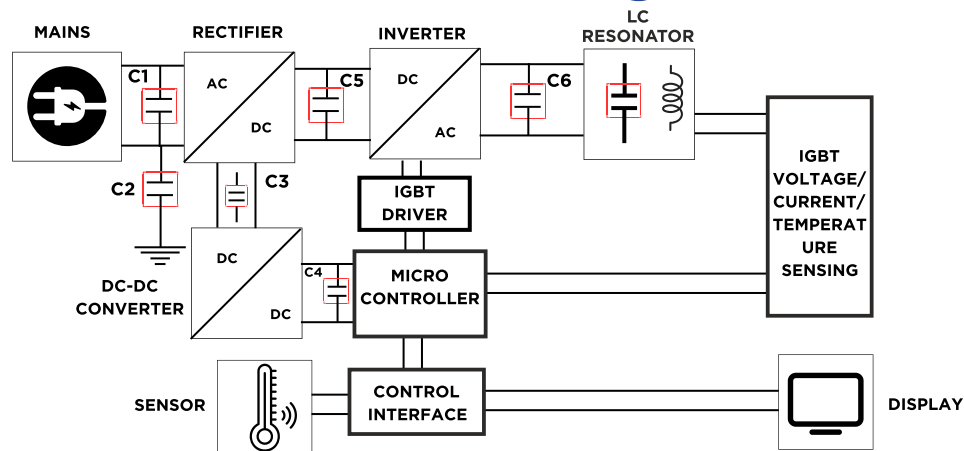
Capacitors for Induction Heating Systems



Capacitors in induction heating systems optimize energy transfer by tuning the circuit to the desired frequency and improving power factor efficiency. They help generate and maintain high-frequency alternating currents, which create electromagnetic fields for rapid, contactless heating of metal objects. By ensuring stable voltage and minimizing energy losses, capacitors enhance system performance, reduce power consumption, and enable precise temperature control, making them essential for industrial applications like metal hardening, welding, and melting.



Functional block diagram



- C1:** Class - X EMI Suppression Capacitor
- C2:** Class - Y EMI Suppression Capacitor
- C3, C5:** DC Link Capacitor
- C4:** General Purpose Capacitor for Resonance Circuit
- C6:** Capacitor For AC Filter

Why Deki


One-Stop Shop
for All Film
Capacitor Needs


Comprehensive
DC & AC
Capacitor Solutions


Single-Digit
PPM Quality


Global Quality
Designed and
Made in India


Fast & Reliable
Delivery Prioritizes
Customer Deadlines

Capacitors for Induction Heating Systems

The Deki Range

| Series No. | Capacitor Type | Function | Voltage range | Capacitance range |
|---|-----------------|------------------------------------|---|---|
| 207 - Normal grade 151 - THB grade | Class-X2 | EMI filter between mains | 310VAC | 0.01 μ F to 10 μ F |
| 33 | Class-Y2 | EMI filter between line and ground | 300VAC | 0.001 μ F to 1 μ F |
| MPP and MPET Film Capacitors | General purpose | AC filtering after rectification | 63VDC-630VDC for MPP-DC 100VDC-1000VDC for MPET-DC | 0.001 μ F to 10 μ F |
| 91 - DC Link Plastic Box 292 - DC Link Plastic Round Can (Female terminal) 293 - DC Link Plastic Round Can (Male terminal) 297 - DC Link Round Aluminium Can | DC Link | DC link application | 450VDC-1500VDC | 1 μ F to 210 μ F 45 μ F to 5500 μ F (upon request) |
| 121 - PP MPP 150 - MPP-MPP | Snubber | Reduce high voltage spikes | 700VDC-3000VDC | 0.047 μ F to 5.6 μ F |
| 22 - AC Filter Box 294 - Faston terminals 295 - M6 Stud terminals 296 - M10 Stud terminals 298 - Clamp terminals | AC Filter | Smoothing output waveform | 275VAC - 440VAC Up to 1000VAC | 5 μ F to 600 μ F |
| 66 - DMMPP 68 - PP-MPP 29 - PP - MMPP | High voltage | Resonance | 630VDC - 2000VDC | 0.001 μ F to 1.8 μ F |

For more details on the Deki range of capacitors for Induction Heating Systems, please scan the QR code.



Deki Capacitors: Precision and Efficiency in Induction Heating



Deki Electronics Ltd

B-19 & 20 Sector 58, NOIDA 201 301, India.
+91 120 2585457, 2585458 • info@dekielectronics.com
www.dekielectronics.com