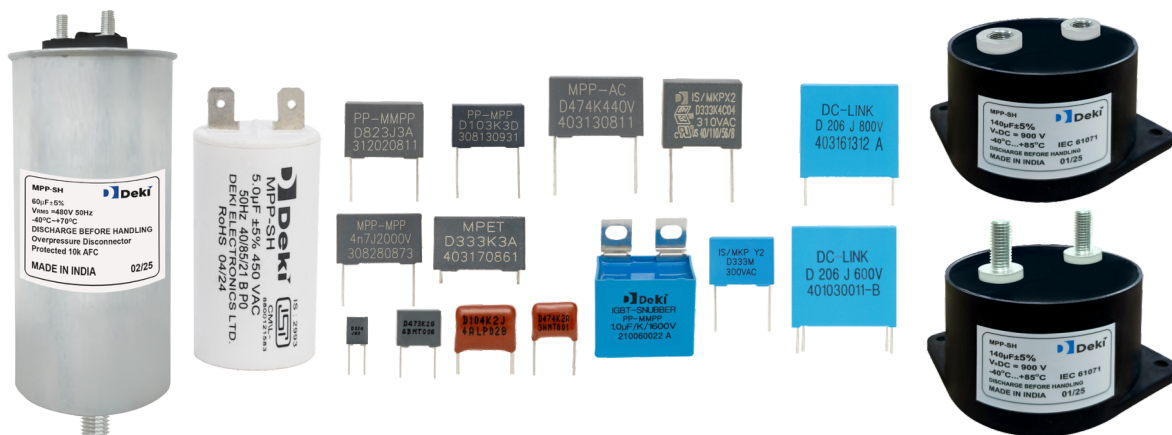


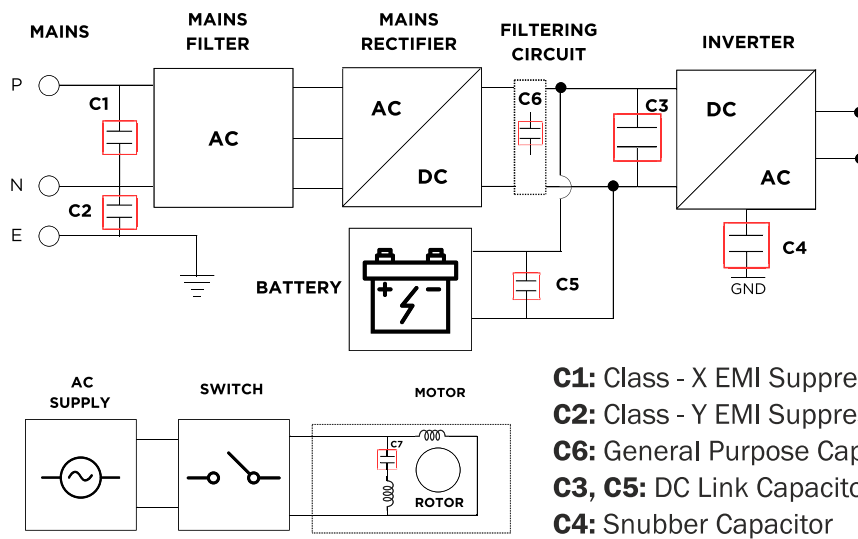
# Capacitors for Inverters



An inverter is a device that converts Direct Current (DC) to Alternating Current (AC). The output frequency depends on the device used. Inverters perform the opposite function of rectifiers and can produce different waveforms, including square wave, sine wave, modified sine wave, pulsed sine wave, or near sine pulse-width modulated wave, based on the circuit design.



## Functional block diagram



- C1:** Class - X EMI Suppression Capacitor
- C2:** Class - Y EMI Suppression Capacitor
- C6:** General Purpose Capacitor
- C3, C5:** DC Link Capacitor
- C4:** Snubber Capacitor
- C7:** Motor Run Capacitor

## Why Deki

  
**One-Stop Shop**  
for All Film  
Capacitor Needs

  
**Comprehensive**  
DC & AC  
Capacitor Solutions

  
**Single-Digit**  
PPM Quality

  
**Global Quality**  
Designed and  
Made in India

  
**Fast & Reliable**  
Delivery Prioritizes  
Customer Deadlines

# Capacitors for Inverters

## The Deki Range

Series No.	Capacitor Type	Function	Voltage range	Capacitance range
<b>207</b> - Normal grade <b>151</b> - THB grade	Class-X2	EMI filter between mains	310VAC	0.01 $\mu$ F to 10 $\mu$ F
<b>33</b> - Normal	Class-Y2	EMI filter between line and ground	300VAC	0.001 $\mu$ F to 1 $\mu$ F
<b>MPP and MPET</b> Film Capacitors	General purpose	AC filtering after rectification	63VDC-630VDC for MPP-DC 100VDC-1000VDC for MPET-DC	0.001 $\mu$ F to 10 $\mu$ F
<b>91</b> - DC Link Plastic Box <b>292</b> - DC Link Plastic Round Can (Female terminal) <b>293</b> - DC Link Plastic Round Can (Male terminal) <b>297</b> - DC Link Round Aluminium Can	DC Link	DC link application	450VDC-1500VDC	1 $\mu$ F to 210 $\mu$ F 45 $\mu$ F to 5500 $\mu$ F (upon request)
<b>121</b> - PP MPP <b>150</b> - MPP-MPP	Snubber	Reduce high voltage spikes	700VDC-3000VDC	0.047 $\mu$ F to 5.6 $\mu$ F
<b>205</b>	Motor run	Phase shift	450VAC	1 $\mu$ F to 100 $\mu$ F

For more details on the Deki range of capacitors for Inverters, please scan the QR code.



## Deki Capacitors: Enhancing Performance in Inverters



### Deki Electronics Ltd

B-19 & 20 Sector 58, NOIDA 201 301, India.

+91 120 2585457, 2585458 • info@dekielectronics.com

www.dekielectronics.com