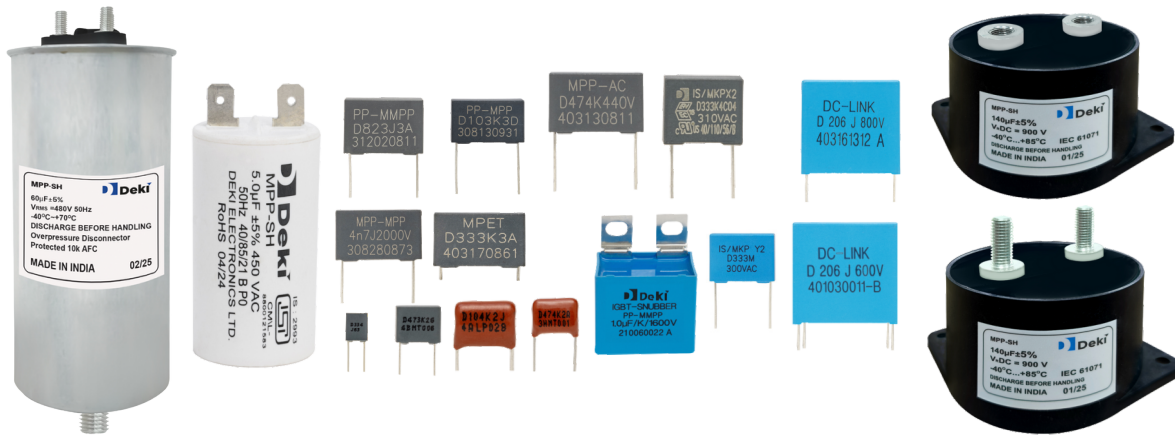


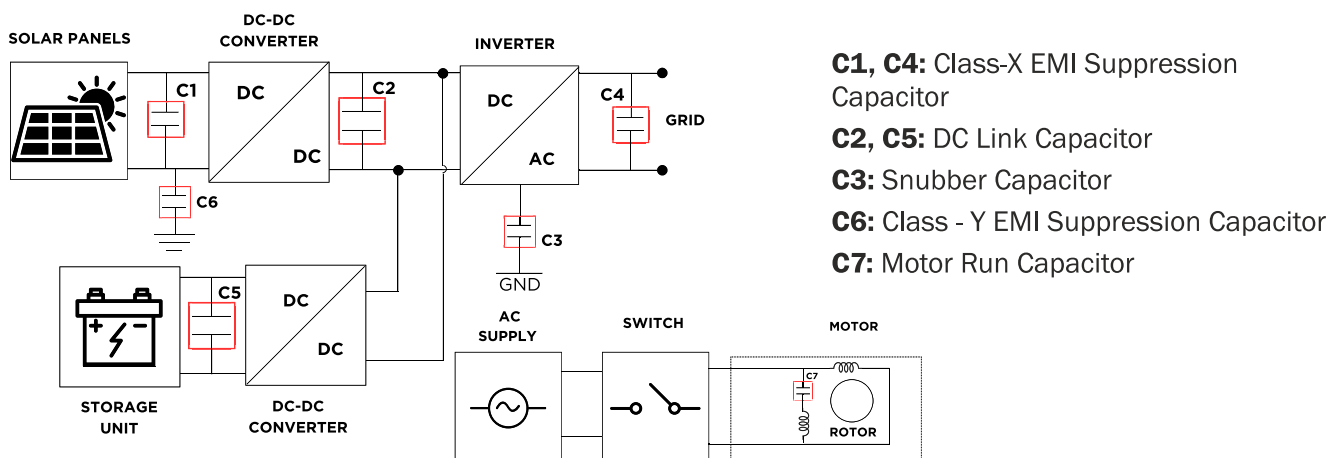
Capacitors for Solar Inverters



Film capacitors are essential in solar inverters, ensuring efficient DC-AC conversion and stable power output. They provide DC link filtering, reduce voltage ripple, and enhance power factor correction. Their high dielectric strength and self-healing properties handle high-frequency switching and suppress EMI. With low ESR and high ripple current capability, film capacitors ensure reliable, long-lasting performance, improving efficiency and durability in solar energy systems.



Functional block diagram



Why Deki


One-Stop Shop
 for All Film
 Capacitor Needs


Comprehensive
 DC & AC
 Capacitor Solutions


Single-Digit
 PPM Quality


Global Quality
 Designed and
 Made in India


Fast & Reliable
 Delivery Prioritizes
 Customer Deadlines

Capacitors for Solar Inverters

The Deki Range

Series No.	Capacitor Type	Function	Voltage range	Capacitance range
207 - Normal grade 151 - THB grade	Class-X2	EMI filter between mains	310VAC	0.01 μ F to 10 μ F
33	Class-Y2	EMI filter between line and ground	300VAC	0.001 μ F to 1 μ F
MPP and MPET Film Capacitors	General purpose	AC filtering after rectification	63VDC-630VDC for MPP-DC 100VDC-1000VDC for MPET-DC	0.001 μ F to 10 μ F
91 - DC Link Plastic Box 292 - DC Link Plastic Round Can (Female terminal) 293 - DC Link Plastic Round Can (Male terminal) 297 - DC Link Round Aluminium Can	DC Link	DC link application	450VDC-1500VDC	1 μ F to 210 μ F 45 μ F to 5500 μ F (upon request)
121 - PP MPP 150 - MPP-MPP	Snubber	Reduce high voltage spikes	700VDC-3000VDC	0.047 μ F to 5.6 μ F
205	Motor run	Phase shift	450VAC	1 μ F to 100 μ F

For more details on the Deki range of capacitors for Solar Inverters, please scan the QR code.



Deki Capacitors: Maximizing Efficiency in Solar Inverters



Deki Electronics Ltd

B-19 & 20 Sector 58, NOIDA 201 301, India.

+91 120 2585457, 2585458 • info@dekielectronics.com

www.dekielectronics.com