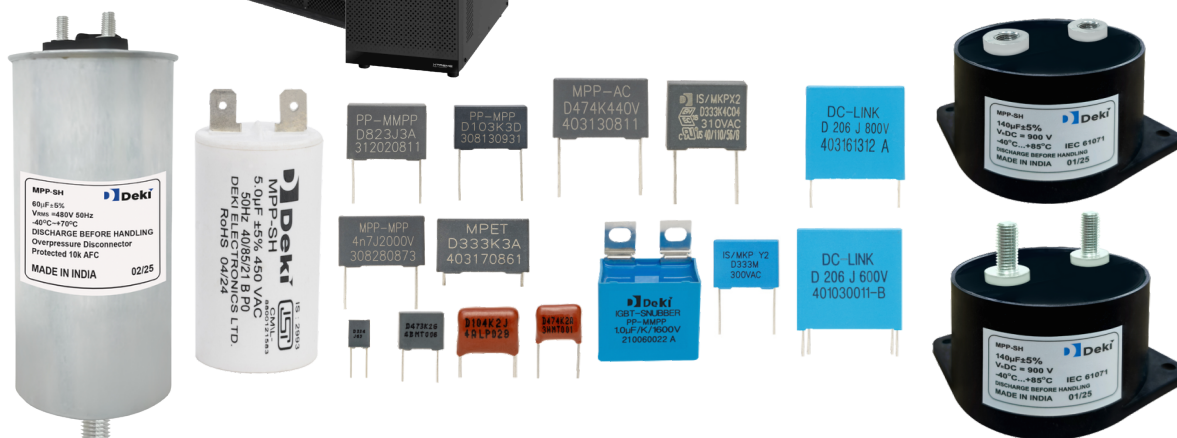


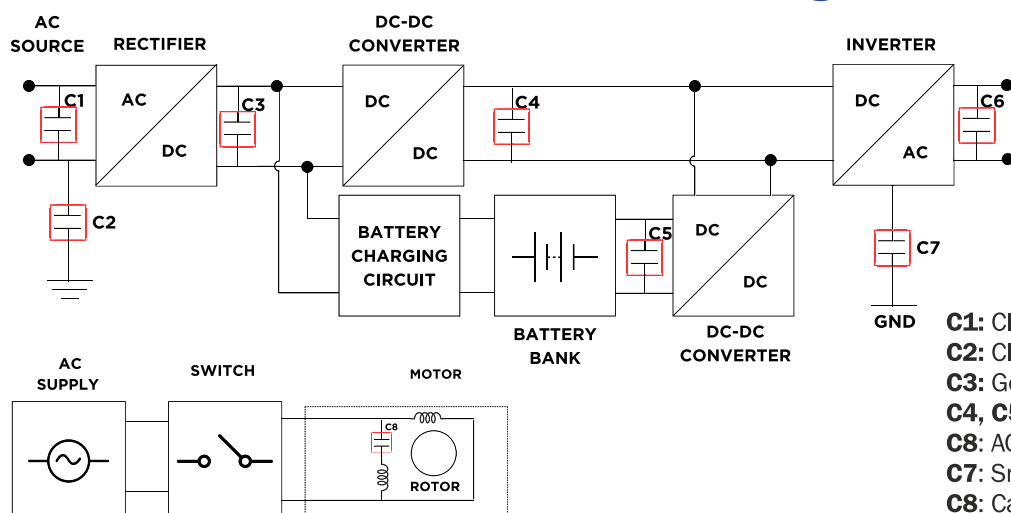
# Capacitors for Uninterrupted Power Supply (UPS)



Capacitors play a vital role in Uninterruptible Power Supply (UPS) systems by storing and regulating electrical energy. They help maintain stable voltage, filter noise, and ensure smooth power delivery during fluctuations or outages. By improving efficiency and reliability, capacitors support the seamless operation of critical equipment. Their ability to manage energy effectively makes them essential components in UPS systems for both commercial and industrial applications.



## Functional block diagram



- C1:** Class - X EMI Suppression Capacitor
- C2:** Class - Y EMI Suppression Capacitor
- C3:** General Purpose Capacitor
- C4, C5:** DC Link Capacitor
- C8:** AC Filter Capacitor
- C7:** Snubber Capacitor
- C8:** Capacitor for Motor Run

## Why Deki



**One-Stop Shop**  
for All Film  
Capacitor Needs



**Comprehensive**  
DC & AC  
Capacitor Solutions



**Single-Digit**  
PPM Quality



**Global Quality**  
Designed and  
Made in India



**Fast & Reliable**  
Delivery Prioritizes  
Customer Deadlines

# Capacitors for Uninterrupted Power Supply (UPS)

## The Deki Range

Series No.	Capacitor Type	Function	Voltage range	Capacitance range
<b>207</b> - Normal grade <b>151</b> - THB grade	Class-X2	EMI filter between mains	310VAC	0.01µF to 10µF
<b>33</b>	Class-Y2	EMI filter between line and ground	300VAC	0.001µF to 1µF
<b>MPP</b> and <b>MPET</b> Film Capacitors	General purpose	AC filtering after rectification	63VDC-630VDC for MPP-DC 100VDC-1000VDC for MPET-DC	0.001µF to 10µF
<b>91</b> - DC Link Plastic Box <b>292</b> - DC Link Plastic Round Can (Female terminal) <b>293</b> - DC Link Plastic Round Can (Male terminal) <b>297</b> - DC Link Round Aluminium Can	DC Link	DC link application	450VDC-1500VDC	1µF to 210 µF 45µF to 5500 µF (upon request)
<b>121</b> - PP MPP <b>150</b> - MPP-MPP	Snubber	Reduce high voltage spikes	700VDC-3000VDC	0.047µF to 5.6µF
<b>22</b> - AC Filter Box <b>294</b> - Faston terminals <b>295</b> - M6 Stud terminals <b>296</b> - M10 Stud terminals <b>298</b> - Clamp terminals	AC Filter	Smoothing output waveform	275VAC - 440VAC  Up to 1000VAC	0.01µF to 600µF
<b>66</b> - DMMPP <b>68</b> - PP-MPP <b>29</b> - PP - MMPP	Power factor correction	Power factor correction	630VDC - 2000VDC	0.001µF to 1.8µF
<b>205</b>	Motor run	Phase shift	450VAC	1µF to 100µF

For more details on the Deki range of capacitors for UPS applications, please scan the QR code.



## Deki Capacitors: The Heart of Reliable UPS Systems



### Deki Electronics Ltd

B-19 & 20 Sector 58, NOIDA 201 301, India.  
+91 120 2585457, 2585458 • info@dekielectronics.com  
www.dekielectronics.com