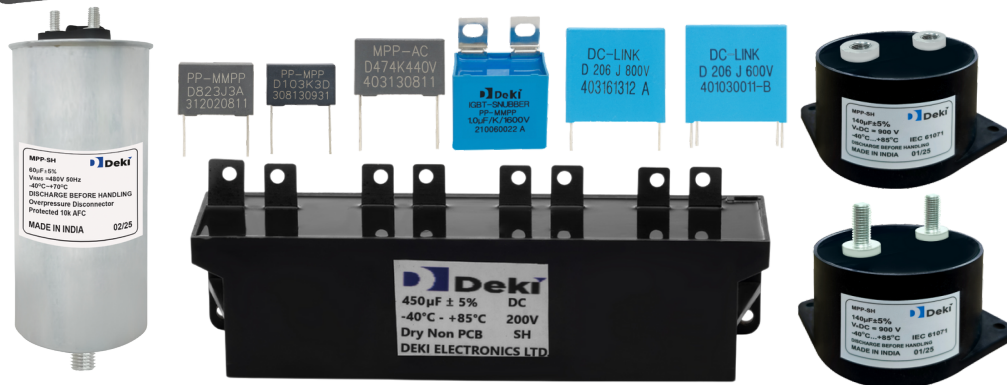


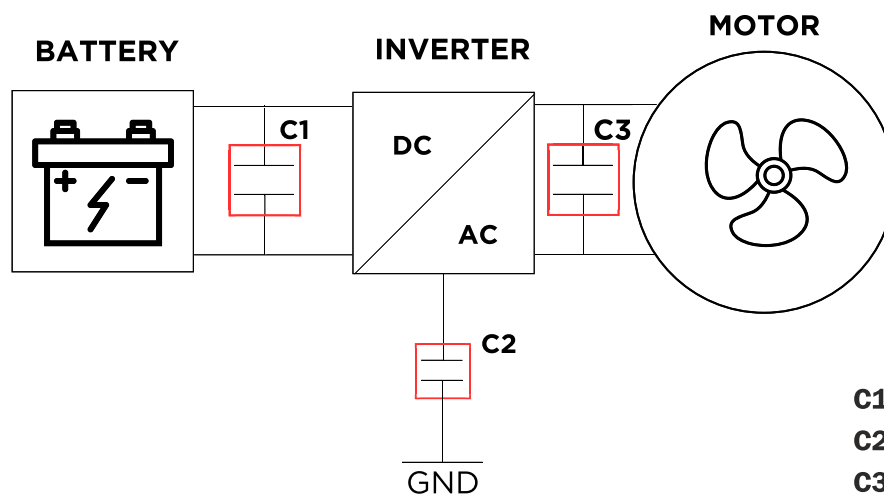
# Capacitors for Variable Frequency Drives (VFD)



Capacitors in Variable Frequency Drives (VFDs) help regulate voltage, filter noise, and improve power factor efficiency. They smooth out voltage fluctuations in the DC bus, ensuring stable power delivery to the motor. By reducing electrical harmonics and energy losses, capacitors enhance motor performance, extend equipment lifespan, and improve overall system efficiency. Their role in energy storage and discharge enables precise speed control, making VFDs ideal for industrial automation and energy-efficient motor operation.



## Functional block diagram



**C1:** DC Link Capacitor  
**C2:** Snubber Capacitor  
**C3:** AC Filter Capacitor

## Why Deki

  
**One-Stop Shop**  
for All Film  
Capacitor Needs

  
**Comprehensive**  
DC & AC  
Capacitor Solutions

  
**Single-Digit**  
PPM Quality

  
**Global Quality**  
Designed and  
Made in India

  
**Fast & Reliable**  
Delivery Prioritizes  
Customer Deadlines

# Capacitors for Variable Frequency Drives (VFD)

## The Deki Range

Series No.	Capacitor Type	Function	Voltage range	Capacitance range
<b>91</b> - DC Link Plastic Box <b>292</b> - DC Link Plastic Round Can (Female terminal) <b>293</b> - DC Link Plastic Round Can (Male terminal) <b>297</b> - DC Link Round Aluminium Can <b>398</b> - DC Link customised	DC Link	DC link application	450VDC-1500VDC	1µF to 210 µF 45µF to 5500 µF (upon request)
<b>121</b> - PP MPP <b>150</b> - MPP-MPP	Snubber	Reduce high voltage spikes	700VDC-3000VDC	0.047µF to 5.6µF
<b>22</b> - AC Filter Box <b>294</b> - Faston terminals <b>295</b> - M6 Stud terminals <b>296</b> - M10 Stud terminals <b>298</b> - Clamp terminals	AC Filter	Smoothing output waveform	275VAC - 440VC Up to 1000VAC	5µF to 600µF

For more details on the Deki range of capacitors for Variable Frequency Drives, please scan the QR code.



## Deki Capacitors: The Pulse Behind VFD Excellence



### Deki Electronics Ltd

B-19 & 20 Sector 58, NOIDA 201 301, India.  
 +91 120 2585457, 2585458 • info@dekielectronics.com  
 www.dekielectronics.com