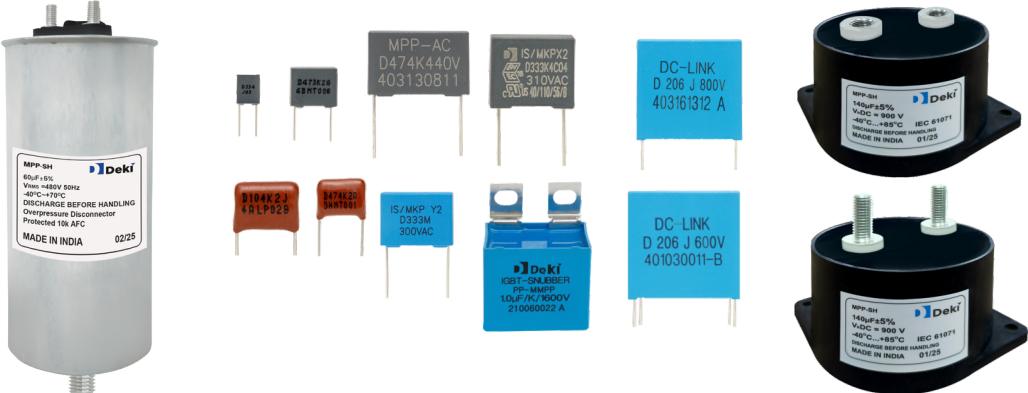


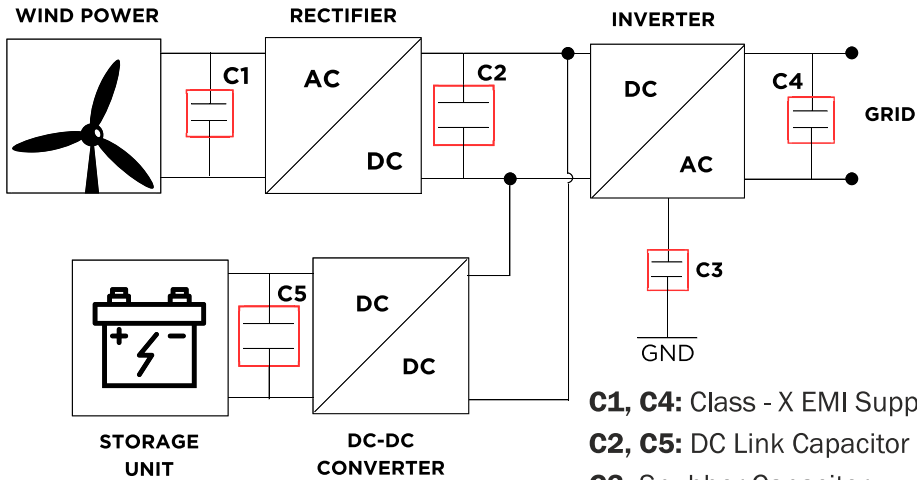
Capacitors for Wind Power Generation Systems



Capacitors play a crucial role in wind power systems by enhancing efficiency, stability, and power quality. They help regulate voltage, improve power factor, and smooth fluctuations caused by variable wind speeds. In wind turbines, capacitors are used in power conditioning, filtering harmonics, and energy storage within converter circuits. They also support grid stabilization by compensating for reactive power. High-quality capacitors ensure reliable performance, making them essential components in modern wind energy systems.



Functional block diagram



C1, C4: Class - X EMI Suppression Capacitor
C2, C5: DC Link Capacitor
C3: Snubber Capacitor

Why Deki


One-Stop Shop
for All Film
Capacitor Needs


Comprehensive
DC & AC
Capacitor Solutions


Single-Digit
PPM Quality


Global Quality
Designed and
Made in India


Fast & Reliable
Delivery Prioritizes
Customer Deadlines

Capacitors for Wind Power Generation Systems

The Deki Range

Series No.	Capacitor Type	Function	Voltage range	Capacitance range
207 - Normal grade 151 - THB grade	Class-X2	EMI filter between mains	310VAC	0.01 μ F to 10 μ F
33	Class-Y2	EMI filter between line and ground	300VAC	0.001 μ F to 1 μ F
MPP and MPET Film Capacitors	General purpose	AC filtering after rectification	63VDC-630VDC for MPP-DC 100VDC-1000VDC for MPET-DC	0.001 μ F to 10 μ F
91 - DC Link Plastic Box 292 - DC Link Plastic Round Can (Female terminal) 293 - DC Link Plastic Round Can (Male terminal) 297 - DC Link Round Aluminium Can	DC Link	DC link application	450VDC-1500VDC	1 μ F to 210 μ F 45 μ F to 5500 μ F (upon request)
121 - PP MPP 150 - MPP-MPP	Snubber	Reduce high voltage spikes	700VDC-3000VDC	0.047 μ F to 5.6 μ F
22 - AC Filter Box 294 - Faston terminals 295 - M6 Stud terminals 296 - M10 Stud terminals 298 - Clamp terminals	AC Filter	Smoothing output waveform	275VAC - 440VAC Up to 1000VAC	5 μ F to 600 μ F

For more details on the Deki range of capacitors for Wind Power Generator systems, please scan the QR code.



Deki Capacitors: Stabilizing Wind Power Systems



Deki Electronics Ltd

B-19 & 20 Sector 58, NOIDA 201 301, India.

+91 120 2585457, 2585458 • info@dekielectronics.com

www.dekielectronics.com