

# COMPONENT SPECIFICATION

**SERIES NAME** High Voltage Film Capacitor  
High Voltage Ceramic Disc Capacitor Replacement  
**SERIES CODE** 134



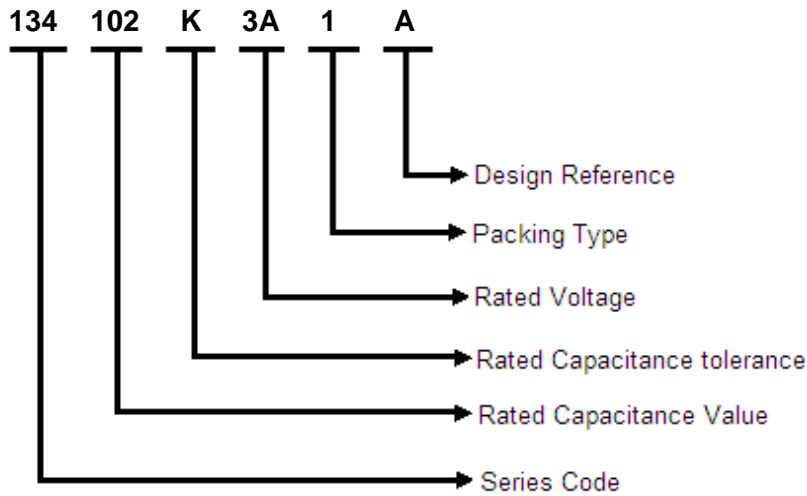
**GIVEN BY:** DEKI ELECTRONICS LTD

**DEKI ELECTRONICS LTD**

B-20, SECTOR-58, NOIDA 201301

Tel: +91 120 2585457/58 • Fax: +91 120 2585289 • Email: [rd@dekielectronics.com](mailto:rd@dekielectronics.com)

### Item Code Description



Three-digit (102) indicate rated capacitance in Pico Farad (First two digits indicate value & third digit indicates number of zeroes to be suffixed to first two digits).

### Rated Capacitance

For example:

103 = 10 × 10 <sup>3</sup>	= 10000 pF	= 10 nF	= 0.01 μF
104 = 10 × 10 <sup>4</sup>	= 100000 pF	= 100 nF	= 0.1 μF
105 = 10 × 10 <sup>5</sup>	= 1000000 pF	= 1000 nF	= 1 μF
106 = 10 × 10 <sup>6</sup>	= 10000000 pF	= 10000 nF	= 10 μF

### Capacitance Tolerance

F = ±1%, G = ±2%, H = ±2.5%, I = ±3.5%, J = ±5%, K = ±10%, L = ±15%, M = ±20%, N=±40%

### Rated Voltage

One digit and one letter (3A) or two digits (05) indicate rated voltage

### Rated Voltage Codification

For DC Rated Voltage													
A		B		C		D		E		F		G	
1A	10	1B	12.5	1C	16	1D	20	1E	25	1F	30	1G	40
2A	100	2B	125	2C	160	2D	200	2E	250	2F	300	2G	400
3A	1000	3B	1250	3C	1600	3D	2000	3E	2500	3F	3000	3G	4000
H		I		J		K		L		M		N	
1H	50	1I	45	1J	63	1K	70	1L	80	1M	85	1N	90
2H	500	2I	450	2J	630	2K	700	2L	800	2M	850	2N	900
3H	5000	3I	4500	3J	6300	3K	7000	3L	8000	3M	8500	3N	9000
O		P		Q		R		S		T		U	
1O	110	1P	120	1Q	57.5	1R	15	1S	17	1T	70	1U	130
2O	1100	2P	1200	2Q	575	2R	150	2S	170	2T	700	2U	1300
3O	11000	3P	12000	3Q	5750	3R	1500	3S	1700	3T	70000	3U	13000

For AC Rated Voltage													
01	02	03	04	05	06	07	08	09	10	11	12	13	14
190	250	275	305	310	440	500	600	700	63	230	330	400	450
VAC	VAC	VAC	VAC	VAC	VAC	VAC	VAC	VAC	VAC	VAC	VAC	VAC	VAC

## Packing Type

- 1: Bulk packing (original pitch)
- 2: Bulk packing (after forming & cutting)
- 3: Ammo packing (after forming & taping)
- 4: Bulk packing (after forming in original pitch without cut)
- 5: Bulk packing (after formed & without cut)
- 6: Ammo packing (Straight lead)
- 7: Bulk packing (Straight lead cut)
- 8: Reel packing (Straight lead)

## Reference Data

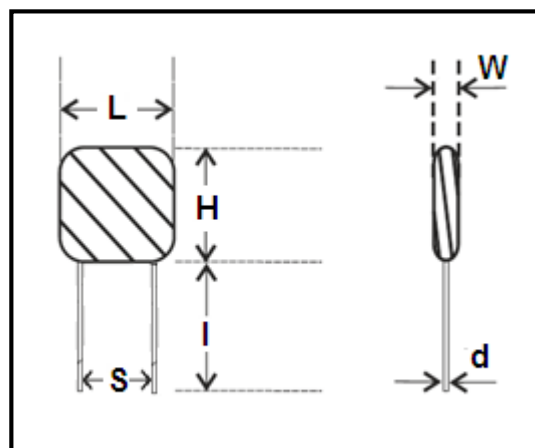
Capacitance	0.0001 $\mu$ F to 0.01 $\mu$ F
Capacitance Tolerance	$\pm$ 5% and $\pm$ 10%
Rated DC Voltage	1000Vdc and 2000Vdc
Climatic testing class according to IEC 60068-1	40/100/56
Maximum application temperature	100°C
Rated temperature	85°C
Dielectric	Polypropylene
Electrodes	Aluminium Foil
Construction	Inductive
Encapsulation	Coated with epoxy resin
Leads	Tinned wire

Marking on capacitor body  
 Type of capacitor, rated capacitance, tolerance, rated voltage and traceability code will be available on each and every capacitor. Example D001472K1CC3A

Compatibility to RoHS



## Dimensions Description



# High Voltage Film Capacitor

## High Voltage Ceramic Disc Capacitor Replacement • Series Code 134



Rated Voltage	Rated Capacitance (µF)	Dimensions (mm)					dV/dt (V/µs)	Item Code	
		L (Max)	H (Max)	W (Max)	S	d (±0.05)			
250Vdc	0.00047	7.5	13.5	4.5	4.0±0.75	0.5	17 Min.	10000	134 471 K 2E 1 A
630Vdc	0.00033	9.5	14	6.5	5.0±0.75	0.5	17 Min.	10000	134 331 J 2J 1 A
	0.00047	8.5	13.5	5	5±0.75	0.5	17 Min.	10000	134 471 J 2J 1 A
1000Vdc	0.0001	9	15	6	5±0.5	0.5	17 Min.	10000	134 101 K 3A 1 A
	0.0001	9	15	6	5±0.5	0.5	17 Min.	10000	134 101 K 3A 1 Z
	0.0001	9	15	6	5±0.5	0.5	17 Min.	10000	134 101 K 3A 6 A
	0.00022	9	15	6	5±0.75	0.5	17 Min.	10000	134 221 K 3A 1 A
	0.00022	9	15	6	5±0.75	0.5	17 Min.	10000	134 221 K 3A 1 Z
	0.00047	8.5	12.5	5	5±0.75	0.5	17 Min.	10000	134 471 K 3A 1 A
	0.00047	8.5	12.5	5	5±0.5	0.5	17 Min.	10000	134 471 K 3A 3 A
	0.001	9	14	5.5	5±0.5	0.5	17 Min.	10000	134 102 K 3A 1 A
	0.001	9	14	5.5	5±0.5	0.5	17 Min.	10000	134 102 K 3A 3 A
	0.001	9	14	5.5	5±0.75	0.5	17 Min.	10000	134 102 K 3A 1 V
	0.0015	7.5	15	4.2	4.5±0.75	0.5	17 Min.	10000	134 152 K 3A 1 A
	0.0022	8	14	4.5	5±0.75	0.5	17 Min.	10000	134 222 K 3A 1 A
	0.0022	8	14	4.5	5±0.75	0.5	17 Min.	10000	134 222 K 3A 1 V
	0.0027	8	14	5	5±0.75	0.5	17 Min.	10000	134 272 K 3A 1 A
	0.0047	9.5	14	6	5±0.75	0.5	17 Min.	10000	134 472 K 3A 1 A
	0.01	12.5	15	7.5	7.5±0.75	0.5	17 Min.	10000	134 103 K 3A 1 A
	0.01	12.5	15	7.5	7.5±0.75	0.5	17 Min.	10000	134 103 M 3A 1 A
2000Vdc	0.0001	9	15	6	5±0.75	0.5	17 Min.	10000	134 101 J 3D 1 A
	0.0001	9	15	6	5±0.5	0.5	17 Min.	10000	134 101 J 3D 6 A
	0.0001	9	15	6	5±0.75	0.5	17 Min.	10000	134 101 K 3D 1 A
	0.00015	9.5	15	6.5	5±0.75	0.5	17 Min.	10000	134 151 K 3D 1 A
	0.00022	9	15	6	5±0.5	0.5	17 Min.	10000	134 221 J 3D 6 A
	0.00022	9	15	6	5±0.75	0.5	17 Min.	10000	134 221 K 3D 1 A
	0.00033	8	15	5	5±0.5	0.5	17 Min.	10000	134 331 J 3D 6 A
	0.00033	8	15	5	5±0.75	0.5	17 Min.	10000	134 331 K 3D 1 A
	0.00047	8.5	15	5	5±0.75	0.5	17 Min.	10000	134 471 J 3D 1 A
	0.00047	8.5	15	5	5±0.5	0.5	17 Min.	10000	134 471 J 3D 6 A
	0.00047	8.5	15	5	5±0.75	0.5	17 Min.	10000	134 471 K 3D 1 A
	0.00068	8.5	14	5	5±0.5	0.5	17 Min.	10000	134 681 J 3D 6 A
	0.00068	8.5	14	5	±0.75	0.5	17 Min.	10000	134 681 K 3D 1 A
	0.001	9	14	5.5	5±0.5	0.5	17 Min.	10000	134 102 J 3D 6 A
	0.001	9	14	5.5	5±0.75	0.5	17 Min.	10000	134 102 K 3D 1 A
	0.0015	9	18.5	5.5	5±0.5	0.5	17 Min.	10000	134 152 J 3D 6 A
	0.0022	10.5	14	6.5	5.5±0.75	0.5	17 Min.	10000	134 222 K 3D 1 A
	0.0022	11	18	6	7.5±0.5	0.5	17 Min.	10000	134 222 J 3D 6 B
	0.0033	11	16	7.5	5±0.5	0.5	17 Min.	10000	134 332 J 3D 6 A
	0.0033	11	16	7.5	5±0.75	0.5	17 Min.	10000	134 332 K 3D 1 A
	0.0047	13	15	9	5.5±0.75	0.5	17 Min.	10000	134 472 K 3D 1 A
	0.0047	13	27	6	8.5±0.5	0.5	7±1.0	10000	134 472 J 3D 7 B
	0.0068	14	27	6.6	8.5±0.5	0.5	7±1.0	10000	134 682 J 3D 7 B
	0.01	16.5	16	12	7.5±0.75	0.5	17 Min.	10000	134 103 K 3D 1 A

0.01	14.5	27	7.5	8.5±0.5	0.5	7±1.0	10000	134 103 J 3D 7 B
------	------	----	-----	---------	-----	-------	-------	------------------

### Specific Data

Description	Value
Maximum tangent of loss angle (Tanδ)	0.0008 at 1 kHz
Voltage proof test between leads	2 times of the rated DC voltage for 2 second
Insulation Resistance (R <sub>IS</sub> ) at 25° C, relative humidity ≤70%	≥100000 MΩ

### Endurance Test

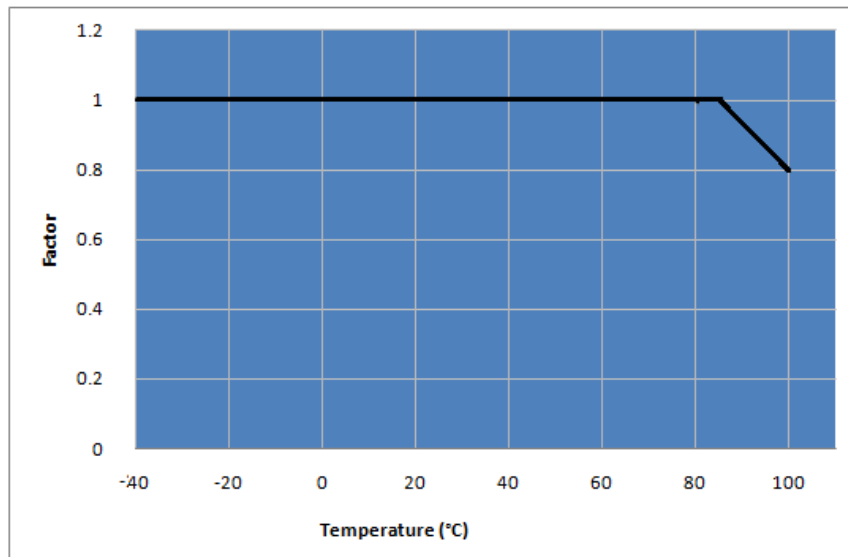
Loaded at 1.5 times of rated voltage at 85°C or 1.5 times of the category voltage at 100°C for 1000 hours. Category voltage is 80% of the rated voltage.

After the Test

- ΔC/C : ≤ 10% of initial value
- Increase of tanδ : ≤ 0.01 or 1.2 times the value measured before the test, whichever is higher
- Insulation resistance : ≥ 50% of the value mentioned in specific data.

### Temperature Derating Graph

For temperature between 85°C and 100°C a derating factor of 1.25% per °C on the rated voltage V<sub>R</sub> has to be applied.



### Storage Conditions

Avoid storing the capacitors in places where the environmental conditions differ from the following:

Storage time: ≤ 24 months from the date marked on the label glued to the package.

- Temperature: -40 to 80°C
- Humidity:

# High Voltage Film Capacitor

## High Voltage Ceramic Disc Capacitor Replacement • Series Code 134



- Average per year:  $\leq 70\%$
- For 30 full days randomly distributed throughout the year:  $\leq 85\%$
- Dew: absent

After a longer period of storage or use, the tolerance can increase; but, according to standard specification, it may never exceed twice the value measured at the time of delivery.

### Disclaimer

All our capacitors are designed, manufactured and tested to specifications. We strictly adhere to standards in procurement of materials, in the laid down manufacturing processes and consistently apply stringent process controls and testing parameters. This ensures that our capacitors always perform to the offered specifications.

Appropriateness of use in a specific circuit and fitness to a particular application however needs to be verified and its reliability through expected lifetime is required to be validated by the customer. Deki's responsibility is limited to ensuring that the capacitor performs as claimed in the specification/ data sheets provided by Deki. Deki specifically disclaims any implied warranties of fitness for any particular purpose. Liability, in any case is limited to the price paid for the capacitors.